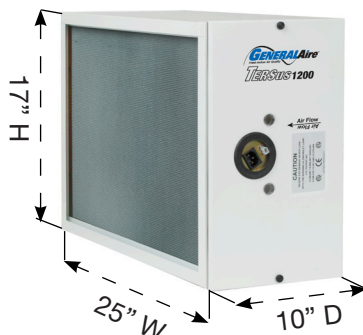




**GeneralAire® TERSus Technology**  
3-In-1 Air Cleaning System

**Spec Sheet**



<b>TERSus 1200 (GFI #4570)</b>	
<b>Capacity</b>	(Capacity 1.5 to 3.0 Tons)
<b>Unit Size (Inches)</b>	17 H x 25 W x 10 D
<b>Warranty (Years)</b>	5
<b>Power</b>	120V/60 Hz .6 Amps 49.2 Watts
<b>Fuse</b>	Replace Only With AGC-2
<b>Application</b>	3 Ton Drive Air Handler / Furnace
<b>Max Face Velocity (FPM)</b>	500
<b>Max Air Flow (CFM)</b>	1200
<b>Replacement Lamps</b>	LT016 (GFI #4564) Two Required (Replace Annually)
<b>Replacement Filter</b>	MERV13 FIO21 (GFI #4572) (Replace Annually)
<b>U. V. Range (NM)</b>	254
<b>U. V. Type</b>	Germicidal
<b>Catalyst</b>	Metal Oxides 56 Sq. Feet
<b>Weight (Pounds)</b>	23
<b>Pallet Qty.</b>	10

<b>TERSus 2000 (GFI #4560)</b>	
<b>Capacity</b>	(Capacity 3.5 to 5.0 Tons)
<b>Unit Size (Inches)</b>	21 H x 25 W x 10 D
<b>Warranty (Years)</b>	5
<b>Power</b>	120V/60 Hz .6 Amps 49.2 Watts
<b>Fuse</b>	Replace Only With AGC-2
<b>Application</b>	5 Ton Drive Air Handler / Furnace
<b>Max Face Velocity (FPM)</b>	625
<b>Max Air Flow (CFM)</b>	2000
<b>Replacement Lamps</b>	LT016 (GFI #4564) Two Required (Replace Annually)
<b>Replacement Filter</b>	MERV13 FIO20 (GFI #4562) (Replace Annually)
<b>U. V. Range (NM)</b>	254
<b>U. V. Type</b>	Germicidal
<b>Catalyst</b>	Metal Oxides 70 Sq. Feet
<b>Weight (Pounds)</b>	36
<b>Pallet Qty.</b>	10

<b>Air Cycles Per Hour / Day</b>	
Based on 3,000 Sq. Ft.	
Fan unit on for 10 minutes per hour	Air cycled 1 times per hour / 24 times per day
Fan unit on for 15 minutes per hour	Air cycled 1.3 times per hour / 31 times per day
Fan unit on for 20 minutes per hour	Air cycled 1.75 times per hour / 42 times per day
Fan unit on for 30 minutes per hour	Air cycled 2.62 times per hour / 63 times per day

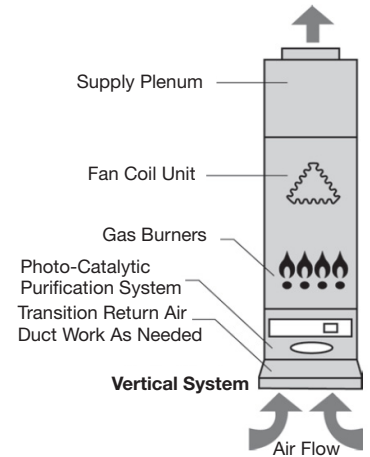
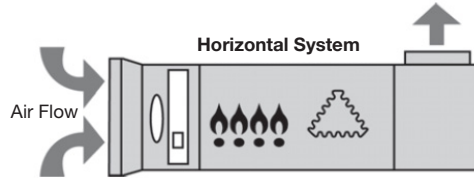
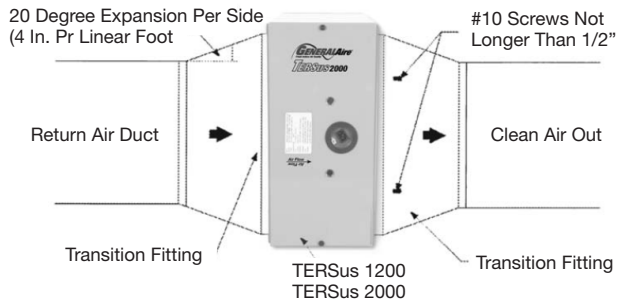




**GeneralAire® TERSus Technology**  
3-In-1 Air Cleaning System

**Spec Sheet**

**Transitions For In-Duct Mounting**



**For TERSus1200 1 1/2 - 3 Ton Drive Systems**

Air Flow & Resistance Data At MERV13:	Air Flow (cfm)	Resistance (in w.g.)	Air Velocity (fpm)
	400	0.09	144
	800	0.18	288
	1200	0.30	433
	1600	0.38	577

**For TERSus2000 3 1/2 - 5 Ton Drive Systems**

Air Flow & Resistance Data At MERV13:	Air Flow (cfm)	Resistance (in w.g.)	Air Velocity (fpm)
	1000	0.18	288
	1500	0.30	432
	2000	0.38	576
	2500	0.50	720

**Wiring Diagram**

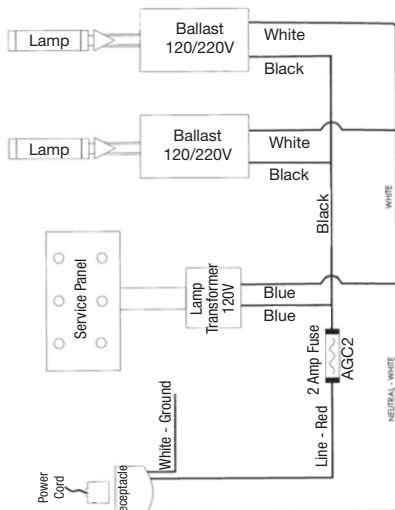


Fig. 10 Electrical Diagram

**Maintenance**



Filter Replacement



UV Bulb Replacement

Go to: [www.generalfilters.com/support/video\\_library](http://www.generalfilters.com/support/video_library) for videos demonstrating how to change your filter and bulbs.

Our Brands



General Filters, Inc.  
43800 Grand River Avenue  
Novi, Michigan 48375  
Toll Free: (866) 476-5101  
[www.generalaire.com](http://www.generalaire.com)



Canadian General Filters, Ltd.  
400 Midwest Rd.  
Toronto, ON M1P3A9 Canada  
Toll Free: (888) 216-9184  
[www.cgfproducts.com](http://www.cgfproducts.com)

Last Updated: 2-2018

Download online at: [www.generalfilters.com/literature/spec/submittal](http://www.generalfilters.com/literature/spec/submittal). All information subject to change without notice.

PURE MICHIGAN®