



GENERAL FILTERS
INCORPORATED

Installation Success Kit

Steam Humidifiers

Breathe Healthier



DUCT Models



ROOM Models

Steam Humidifier Models

GeneralAire® Elite Steam Humidifier Comparison Chart

Model	GFI #	Type	Dimensions (Inches)	GPD	Weight (Lbs.)	Elect.	Conductivity	Power (kW)	Humidistat Included	Kit Req.
DS15P	5578	DUCT Steam Electrode	13.125 x 23.75 x 8.25	16	20	120V	Regular Conductivity	1.80	NA	YES
DS25	5574	DUCT Steam Electrode	13.125 x 23.75 x 8.25	25-35	20	230V	Regular Conductivity	3.89	NA	YES
DS25LC	5577	DUCT Steam Electrode	13.125 x 23.75 x 8.25	25-35	20	230V	Low Conductivity	3.89	NA	YES
RS15P	5548	ROOM Steam Electrode	13.125 x 23.75 x 8.25	16	22	120V	Regular Conductivity	1.80	GFX3	NO
RS25	5547	ROOM Steam Electrode	13.125 x 23.75 x 8.25	25-35	22	230V	Regular Conductivity	3.89	GFX3	NO
RS25LC	5543	ROOM Steam Electrode	13.125 x 23.75 x 8.25	25-35	22	230V	Low Conductivity	3.89	GFX3	NO



Selecting The Right Unit - 3 Easy Steps!

STEP 1

Calculate Gallons Per Day (GPD).

Calculation

Total Square Footage =
(Include the basement)
X Average Ceiling Height =

Example

3,000
8'

X Factor From Table to Right =
X 1.05 for Each Fireplace =
Humidity Load (PPH) =

.00020 →
1.05
5.04

Humidity Load

5.04

X 2.88 (Converts to GPD) =

14.52 GPD

Scan for GeneralAire®
humidity calculator online.



Indoor Air Temp °F	Indoor RH%			
	35%	40%	45%	50%
68	0.00015	0.00018	0.00021	0.00024
70	0.00017	0.00020	0.00023	0.00026
72	0.00019	0.00022	0.00025	0.00028

The humidifier you select must
generate at least 14.52 GPD to
maintain desired humidity levels!

STEP 2

Test the Water Conductivity Using the AP-2 Conductivity Tester (measured in microSiemens per centimeter (µs/cm)).

- * 125 to 400 µs/cm requires a Low Conductivity (LC) model.
- * 400 to 1,250 µs/cm requires a regular steam model.

1. Fill a glass with one cup of water from the steam humidifier water supply (figure A).
2. Turn the AP-2 tester on. Insert the tester into the glass of water (figure B).
3. Select your unit (from chart on front cover) based on the conductivity result.



Figure A



Figure B



AP-2
Conductivity Tester
GFI #7066

Using the AP-2 Water Conductivity Tester

STEP 3

Select Your Model

Elite Steam Models	microSiemen ($\mu\text{S}/\text{cm}$)	Conductivity	Repl. Steam Cylinder
DS25LC, RS25LC	125 - 400	Low	35-15
DS15P, RS15P	400 - 1250	Regular	15-14
DS25, RS25	400 - 1250	Regular	35-14

Selecting the Proper Duct Mount Kit (DS Models Only)

DMNKit Is Included With All Duct Steam Models

Room Blower Kits Below

Room Steam Injection



RMB15
GFI #7665
Remote Mount Blower
110V



RMB35
GFI #7660
Remote Mount Blower
230V

Included With All Models



DMNKit
GFI #7525
Duct Mount Kit W/6' Hose &
GFX3 Humidistat

Suggested Items to Bring to the Installation

(Items not included with the humidifier or duct mount kits that you will need for installation.)

1. 30-Amp 2-Pole Breaker
2. 10-Gage High-Voltage Wire
3. 18-2 Low Voltage Wire
4. 1 1/4" PVC Main Drain
5. *Optional* High-Capacity Condensate Pump

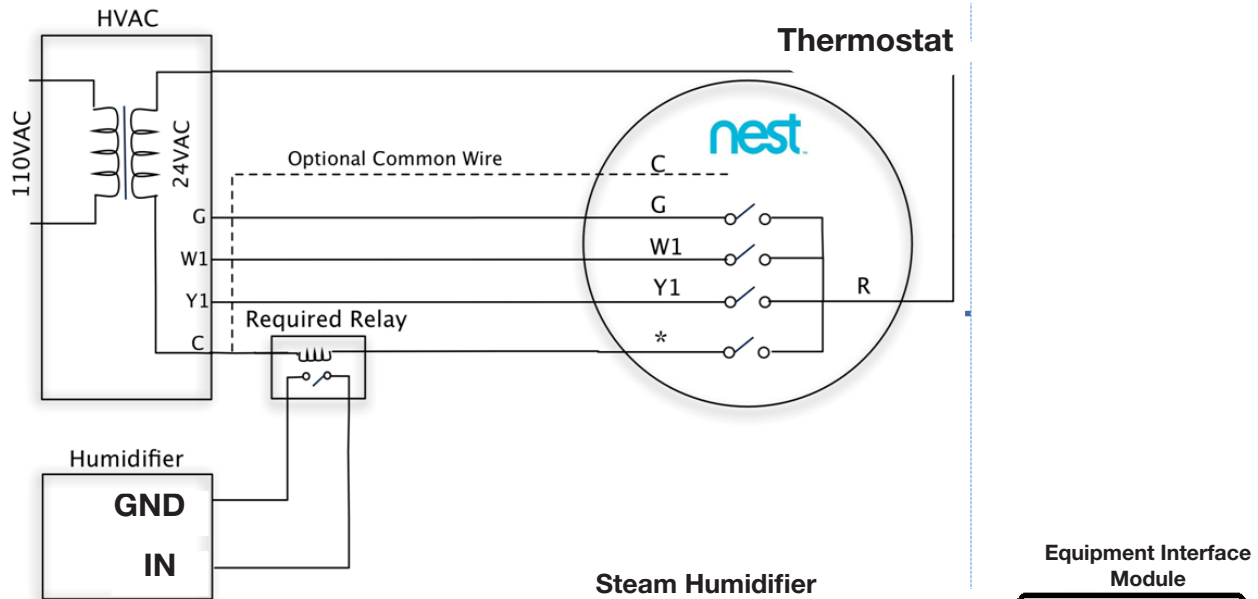
**Each installation is different. The above list may not be complete.*

**30-Amp 2-Pole
Breaker**

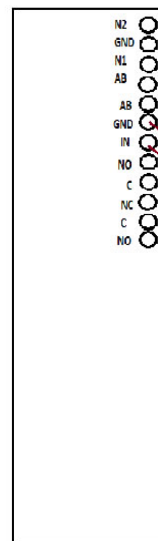


Additional Wiring Capabilities

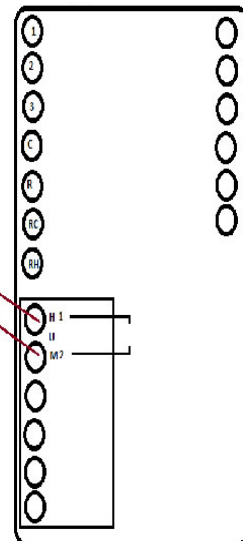
Connecting to Non-GeneralAire® Humidistats & Thermostats.



Steam Humidifier

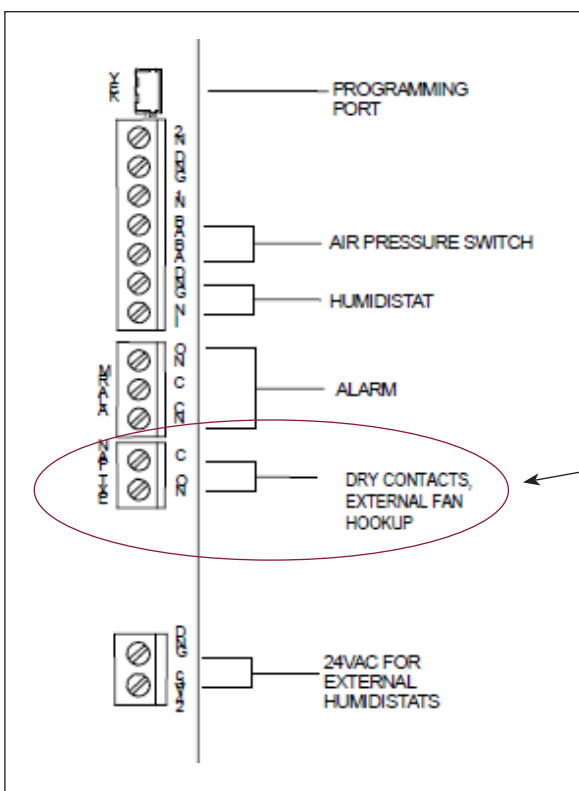


Equipment Interface Module



Note: This equipment has a normally open set of dry contacts.

External Fan Control



Low voltage air handler fan tie-in

The unit is able to control the blower on your air handler or furnace with a simple hookup.



General Filters, Inc.
43800 Grand River Avenue
Novi, Michigan 48375
(866) 476-5101
customerservice@generalfilters.com



Canadian General Filters, Ltd.
400 Midwest Rd.
Toronto, ON M1P3A9
(888) 216-9184
sales@cgfproducts.com

PURE MICHIGAN

GFI LIT #STKIT
2-2018