



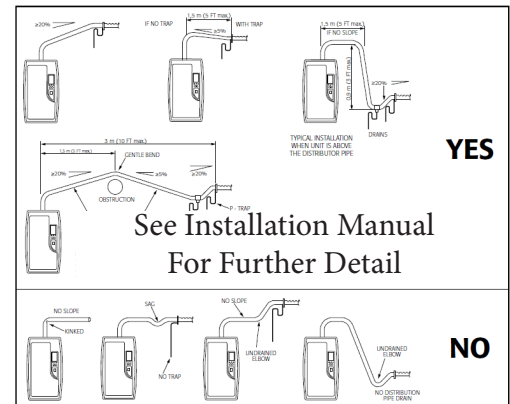
GeneralAire® Models DS15P, DS25, DS25LC
Steam Humidifiers

Spec Sheet Installation Kit Now Included With Humidifier

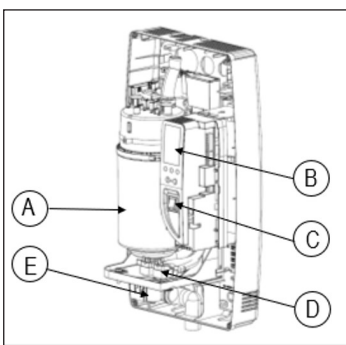


Duct Steam Models	
Elite Steam Humidifiers Model	DS15P (GFI #5578), DS25 (GFI #5574) & DS25LC (GFI #5577)
Type	Self contained immersed electrode; drain pump design; integral room steam blower
Capacity (Gallons Per Day)	DS15P: 15.8 GPD DS25 & 25LC: 25-35 GPD
Capacity / VAC / kW	DS15P: 5.5 Lbs / Hr (2.5kg/h) / 110VAC 1-phase 50-60Hz / 1.86 kW DS25, 25LC: 12 Lbs / Hr (5.4kg/h) / 230VAC 1-phase 50-60Hz / 4.05 kW
Dimensions (Inches)	23.75 H x 13 1/8 W x 8.25 D
Replacement Steam Cylinder	DS15P: 15-14 (GFI #7523); DS25: 35-14 (GFI #7524); DS25LC: 35-15 (GFI #7543)
Power (Volts)	DS15P: 120 DS25 & DS25LC: 230
Electrode Power Cables	12 AWG
Power Relays	2 - 30 Amp On Board
Ground Connection	Screw
Weight (Pounds) / Pallet Size	20 / 12
Controls	GFX3 - Included (Inside DMNKit)
Conductivity Range	125 to 1250 µs/cm / Low Conductivity (LC) Model (Test water for conductivity prior to selection)
Water Fill Connection	1/4" O.D. Compression; Adapter to 3/4" FPS
Water Fill - Instant Flow	0.09 - 0.16 gpm (0.35 - 0.60 l/min)
Input Water Type	Potable water (no demineralized or softened water)
Drain Connection	.75" to air break into 1.25" O.D. (32 mm)
Drain Water Temperature	< 140° (< 60° C)
Drain Flow	Initial Max Drain Rate = 7 gpm (26.2 l/min) (with full cylinder for the first 10-15 seconds of drain cycle. Average Drain Rate = 3.1 gpm (11.7 l/min) (measured over a 1-minute period starting with full cylinder)
Serial Communication	RS485
Warranty (Years)	5
In The Box	Steam Humidifier, Warranty Card, Installation Manual, Drilling Template, Installation/Mounting Screws, Power Wire Clamps, Steam Adapter Fitting (Duct Units Only), Installation Kit

90% of All Operational Problems are Due to Improper Steam Piping

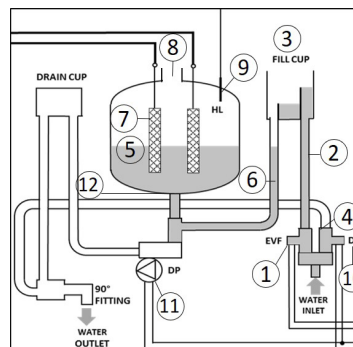


- Avoid kinks, sharp elbows or low spots that could collect or restrict the flow of steam to the distributor pipe; or the flow of condensate back to the humidifier.
- Support the hose adequately to avoid sags.



Internal Views

A	Steam Generator Cylinder
B	User Interface/Display
C	ON / OFF Switch
D	Fill & Tempering Valves
E	Drain Pump



1	Water Fill Valve	7	Electrode
2	Water Tube	8	Steam Output
3	Fill Cup Dam	9	Water Level Probe
4	Flow Restrictor	10	Tempering Valve
5	Water Reservoir	11	Drain Pump
6	Water Tube	12	Strainer





GeneralAire® Models DS15P, DS25, DS25LC
Steam Humidifiers

Spec Sheet Installation Kit Now Included With Humidifier

Model Options

Model No.	Power Supply (Single Phase)	Steam Output (lbs/hr)	Steam Output (kg/h)	Power (kW)	Current (A)	External Power Wires	External Fuse (A) or Breaker
DS15P	110VAC 50/60Hz	5.5	2.5	1.80	16.40	AWG10	25
DS25	230VAC 50/60Hz	9-12	5.4	3.89	16.95	AWG10	25
DS25LC	230VAC 50/60Hz	9-12	5.4	3.89	16.95	AWG10	25

Wiring Connections

Terminals	Functions	Electrical Specifications
L1-L2 GROUND	Power supply and ground connections	Power supply 110 VAC 1-phase 50-60 Hz 1.8 kW or 230 VAC 1-phase 50-60 Hz 4.05kW
AB-AB	Remote enabling input	Imposes an external NO contact; Rmax = 300 Ohm; Vmax=33 Vdc; Imax = 6mA; humidifier enabled = contact closed
IN-GND	Control signal input	If programmed 0...10V; Input impedance 10 KOhm
		If programmed On-Off: Vmax 33Vdc; Imax = 5mA; Rmax = 300 Ohm
NC-C-NO	NC alarm contact; Common alarm contact; NO alarm contact	250V; 8Amp max with resistive load; 4Amp max with inductive load
NO-C	External fan relay	250V; 8Amp max with resistive load; 4Amp max with inductive load
24GND	Power for external humidistat	Power supply for external humidistat 24 VAC; 2 Watt

Water Requirements

- Pressure: Between 20PSI and 110PSI or 0.1 and 0.8 MPa (1 & 8 Bar)
- Temperature: Between 33°F and 104°F (1°C and 40°C)
- Flow Rate: minimum 0.45 L/min or 0.21 gpm
- Hardness: No greater than 40°FH (equal to 400 ppm³ of CaCO)
- Absence of organic compounds
- Conductivity between 125 to 1250 µs/cm:
 - 125 to 400 Low Conductivity
 - 400 to 1250 Regular Conductivity

Unacceptable Water Types

- Softened water
- Water containing disinfectants or corrosion inhibitors
- Industrial water, boiler water or water from cooling circuits
- Any potentially chemically or bacteriologically contaminated water
- Heated water

Remote Blower Kits Available
(Order Separately)



RMB15 (GFI #7665)
RMB35 (GFI #7660)

Test Water Conductivity



Water Conductivity Meter (GFI#7065)

Recommended Settings:

At Outside Temperature		Recommended Setting
-20°F	-29°C	15%
-10°F	-23°C	20%
0°F	-18°C	25%
10°F	-12°C	30%
20°F	-7°C	35%
30°F	-1°C	40%

Control Wiring

- See the GFX3 installation manual for wiring instructions.



Calculating Humidity Load

Step 1: Calculate the Total Cubic Feet of Home
Total Home Square Footage X Average Ceiling Height (Include the basement)

Step 2: Calculate the Load (lbs/hr)
Total Cubic Feet X Desired Condition Factor (Table Below) X 1.05 / Ea. Fireplace

Step 3: Calculate Gallons Per Day (GPD)
Gallons Per Day = Load (lbs/hr) X 2.88

Table 1.2 Pounds of Moisture / Hour / Cubic Foot*

Indoor Air Temp	Indoor RH %			
	35%	40%	45%	50%
68°F	0.00015	0.00018	0.00021	0.00024
70°F	0.00017	0.00020	0.00023	0.00026
72°F	0.00019	0.00022	0.00025	0.00028

Based on .5 Air Changes Per Hour (ACH)

Go to: www.generalaire.com/support/humidification_calculator for assistance in selecting a humidifier for a home.



General Filters, Inc.
43800 Grand River Avenue
Novi, Michigan 48375
Toll Free: (866) 476-5101
www.generalaire.com



Canadian General Filters, Ltd.
400 Midwest Rd.
Toronto, ON M1P3A9 Canada
Toll Free: (888) 216-9184
www.cgfproducts.com